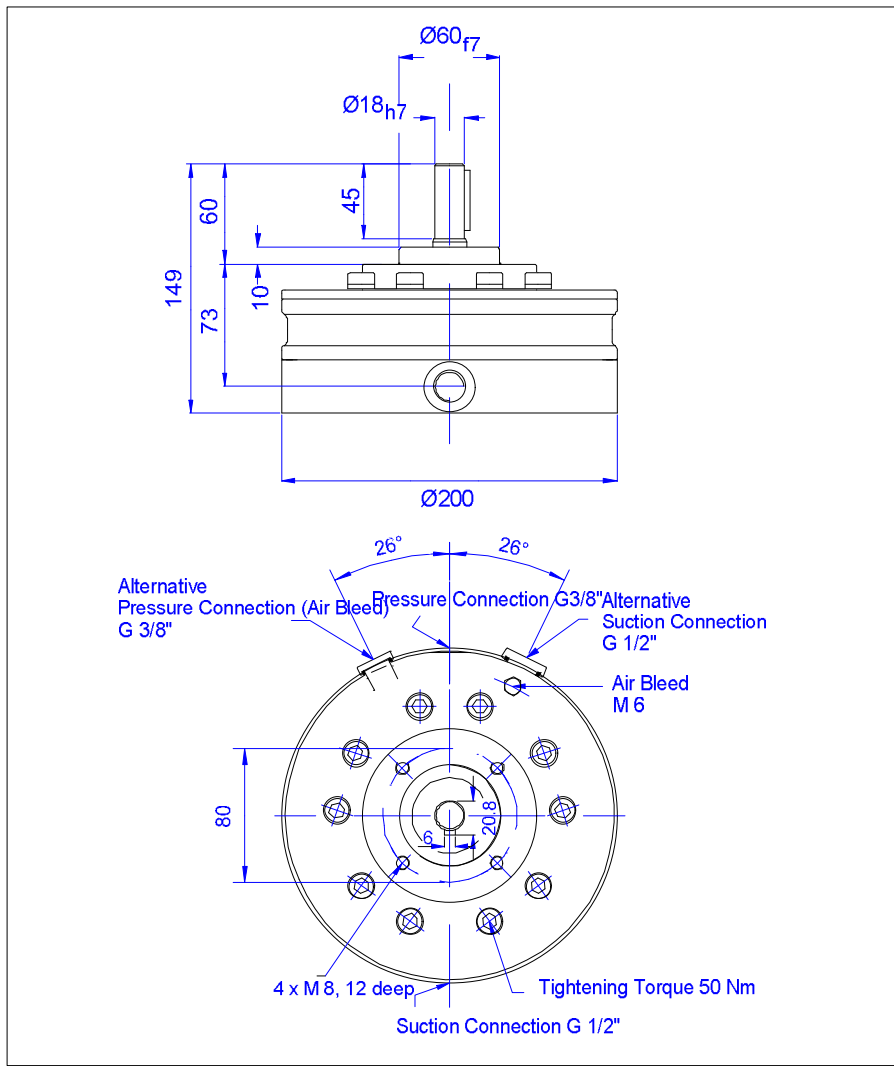


Radial piston pump 1-row

closed type construction, 1 delivery rate, 5 elements

dimensions + pressure ranges 1R-ET *5 1-delivery rate

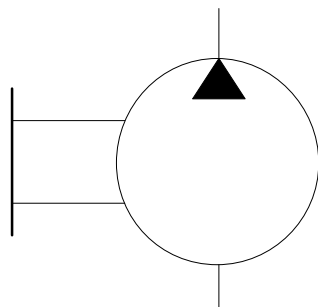
Dimensions:



van Dinter
Antriebstechnik

E-mail: hydraulik@van-dinter.de
Telefon : +49 (0) 234 68738 - 0
Telefax : +49 (0) 234 68738 - 27

1 x P



1R ET ...
pump closed
1 delivery rate

options:

Vg / P selction chart

option drive-through
DA SAE A mounting
flange
DB SAE B mounting
flange
DR *R mounting flange

seals materials
N NBR standard
V Viton on request
E EPDM on request

weight: 12,9 Kg

volume + number of elements	delivery volume Vg [ccm/rev]	nominal delivery rate at n = 1450 U/min [l/min]	delivery rate at p max [l/min]	max. operating pressure pmax [bar]
A5	2,01	2,91	2,6	550
A5-S	1,26	1,83	1,55	550
B5	3,14	4,55	4,2	450
B5-S	1,97	2,86	2,6	450
C5	4,52	6,55	6,2	350
C5-S	2,83	4,1	3,85	350
D5	5,31	7,7	7,2	300
D5-S	3,33	4,83	4,5	300
E5	6,16	8,93	8,4	250
E5-S	3,82	5,54	5,2	250
F5	7,07	10,25	9,7	200
F5-S	4,38	6,35	6,05	200