

Radial piston pump 2-rows

closed type construction, 2 delivery rates, 10 elements

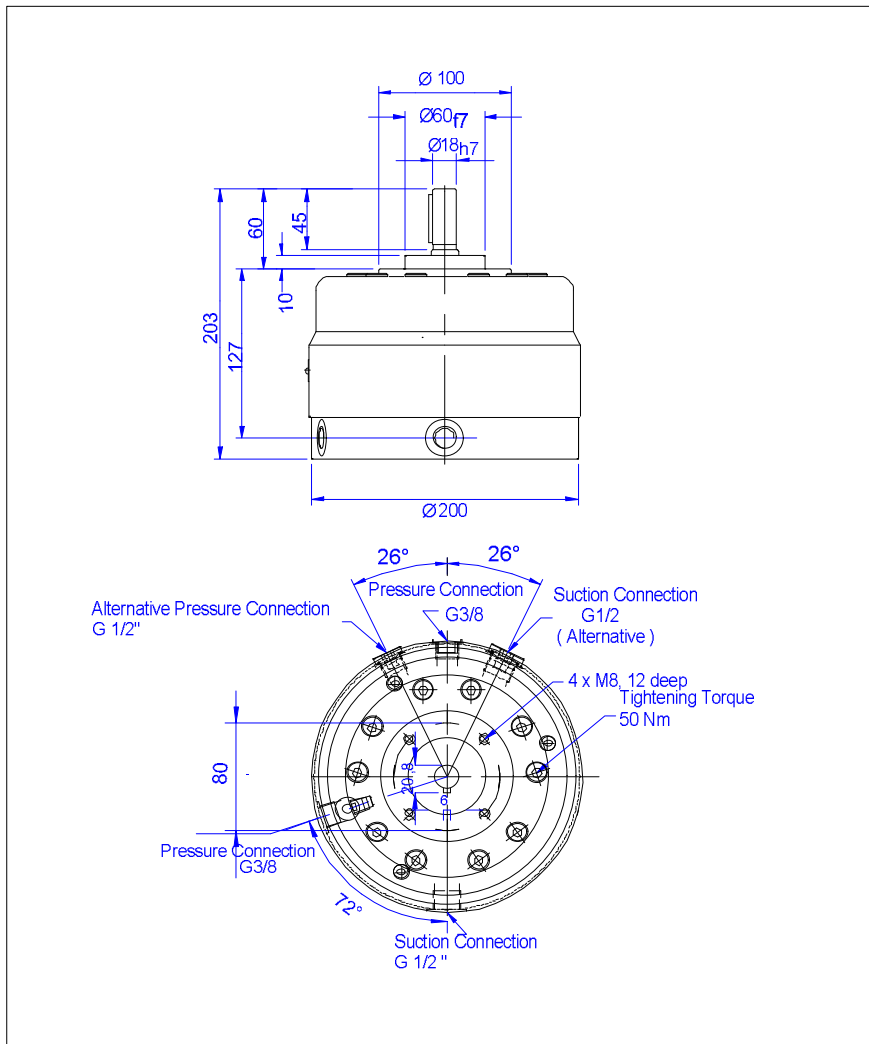
dimensions + pressure ranges 2R-ET **5

2-delivery rates

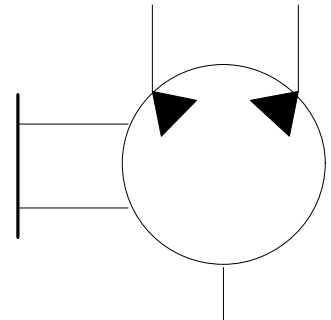
Dimensions:



E-mail: hydraulik@van-dinker.de
 Telefon : +49 (0) 234 68738 - 0
 Telefax : +49 (0) 234 68738 - 27



2 x P



2R ET **5
 pump closed
 2 delivery rates

options:
 Vg / P selection chart
 shows delivery rate per 5
 elements

option drive-through
 DA SAE A mounting
 flange
 DB SAE B mounting
 flange
 DR *R mounting flange

seals materials
 N NBR standard
 V Viton on request
 E EPDM on request

weight: 20,2 Kg

volume + number of elements	delivery volume Vg [ccm/rev]	nominal delivery rate at n = 1450 U/min [l/min]	delivery rate at p max [l/min]	max. operating pressure pmax [bar]
A5	2,01	2,91	2,6	550
A5-S	1,26	1,83	1,55	550
B5	3,14	4,55	4,2	450
B5-S	1,97	2,86	2,6	450
C5	4,52	6,55	6,2	350
C5-S	2,83	4,1	3,85	350
D5	5,31	7,7	7,2	300
D5-S	3,33	4,83	4,5	300
E5	6,16	8,93	8,4	250
E5-S	3,82	5,54	5,2	250
F5	7,07	10,25	9,7	200
F5-S	4,38	6,35	6,05	200