

# Radial piston pump 1-row

closed type construction, 7 delivery rates, 7 elements

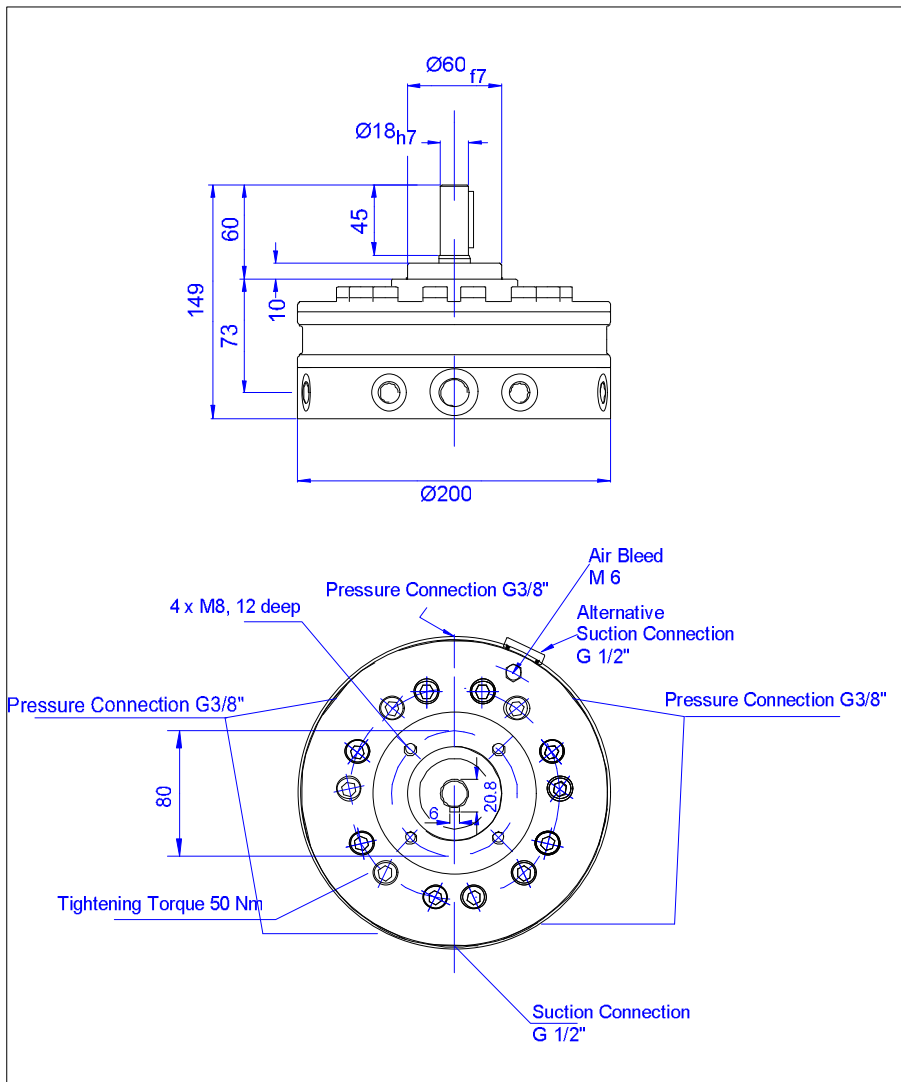
## dimensions + pressure ranges 7R-ET \*7

7-delivery rates

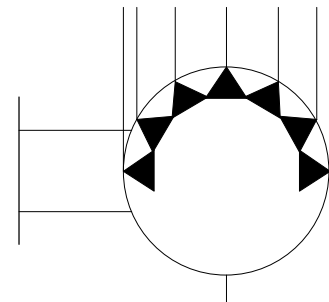
### Dimensions:



E-mail: [hydraulik@van-dinter.de](mailto:hydraulik@van-dinter.de)  
 Telefon : +49 (0) 234 68738 - 0  
 Telefax : +49 (0) 234 68738 - 27



7 x P



7R ET \*7  
 pump closed  
 7 delivery rates

options:  
 Vg / P selection chart  
 shows delivery rate per  
 element

option drive-through  
 DA SAE A mounting  
 flange  
 DB SAE B mounting  
 flange  
 DR \*R mounting flange

seals materials  
 N NBR standard  
 V Viton on request  
 E EPDM on request

weight: 12.9 Ka

volume + number of elements	delivery volume Vg [ccm/rev]	nominal delivery rate at n = 1450 U/min [l/min]	delivery rate at p max [l/min]	max. operating pressure pmax [bar]
A1	0,4	0,58	0,5	550
A1-S	0,25	0,36	0,31	550
B1	0,63	0,91	0,84	450
B1-S	0,39	0,56	0,52	450
C1	0,91	1,31	1,24	350
C1-S	0,56	0,82	0,77	350
D1	1,07	1,55	1,44	300
D1-S	0,67	0,97	0,9	300
E1	1,23	1,78	1,67	250
E1-S	0,77	1,11	1,04	250
F1	1,41	2,1	1,94	200
F1-S	0,88	1,28	1,21	200