

Radial piston pump 2-rows

closed type construction, 1 delivery rate, 10 elements

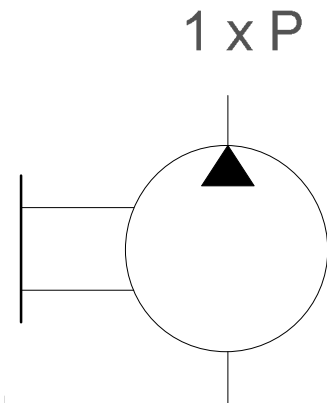
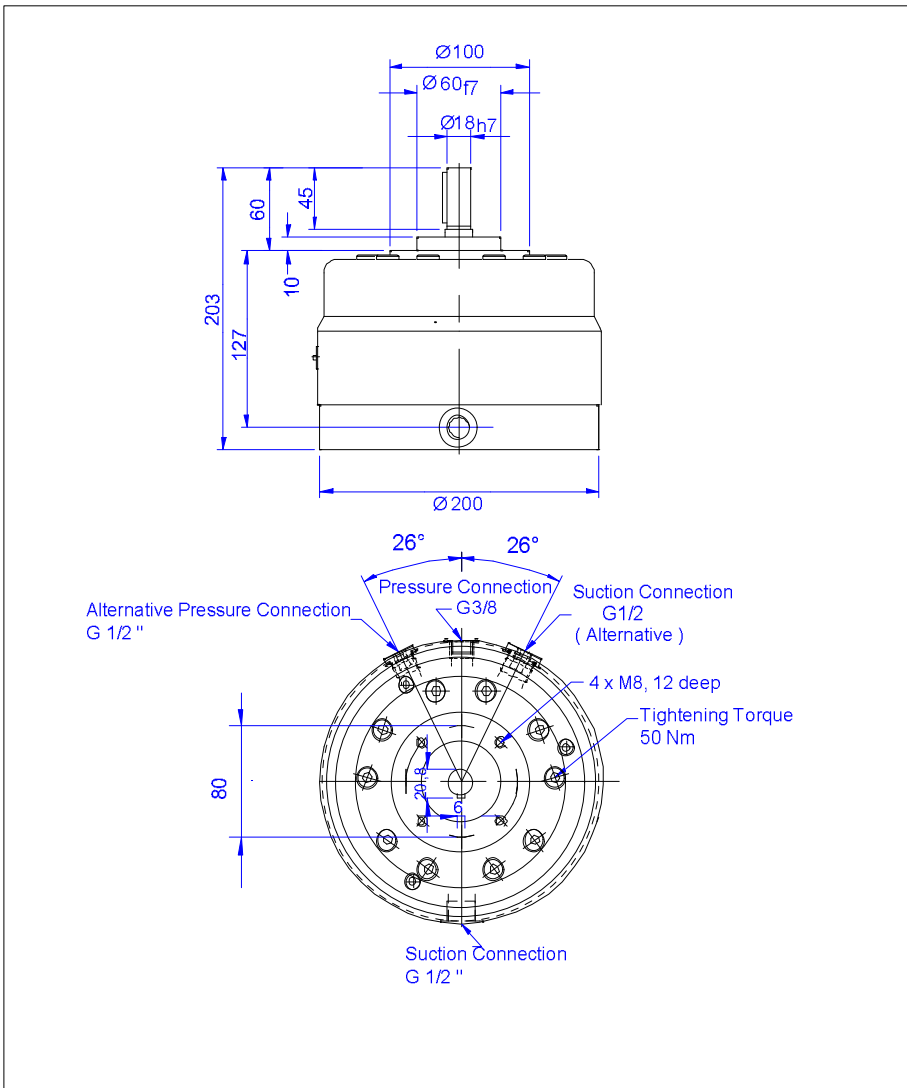
dimensions + pressure ranges 1R-ET *10

1-delivery rate

Dimensions:



E-mail: hydraulik@van-dinter.de
 Telefon : +49 (0) 234 68738 - 0
 Telefax : +49 (0) 234 68738 - 27



1
 pump closed
 1 delivery rate

options:

Vg / P selection chart

option drive-through
 DA SAE A mounting flange
 DB SAE B mounting flange
 DR *R mounting flange

seals materials
 N NBR standard
 V Viton on request
 E EPDM on request

weight: 20,2 Kg

volume + number of elements	delivery volume Vg [ccm/rev]	nominal delivery rate at n = 1450 U/min [l/min]	delivery rate at p max [l/min]	max. operating pressure pmax [bar]
A10	4,02	5,8	5,2	550
B10	6,28	9,2	8,4	450
C10	9,04	13,2	12,4	350
D10	10,62	15,4	14,4	300
E10	12,32	17,8	16,8	250
F10	14,14	20,6	19,4	200