

Radial piston pump 2-rows

closed type construction, 1 delivery rate, 14 elements

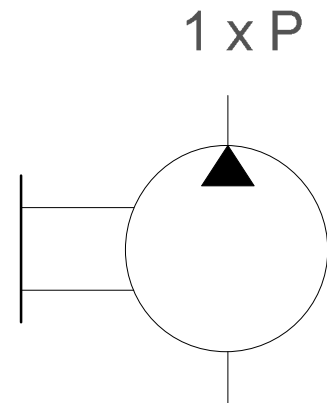
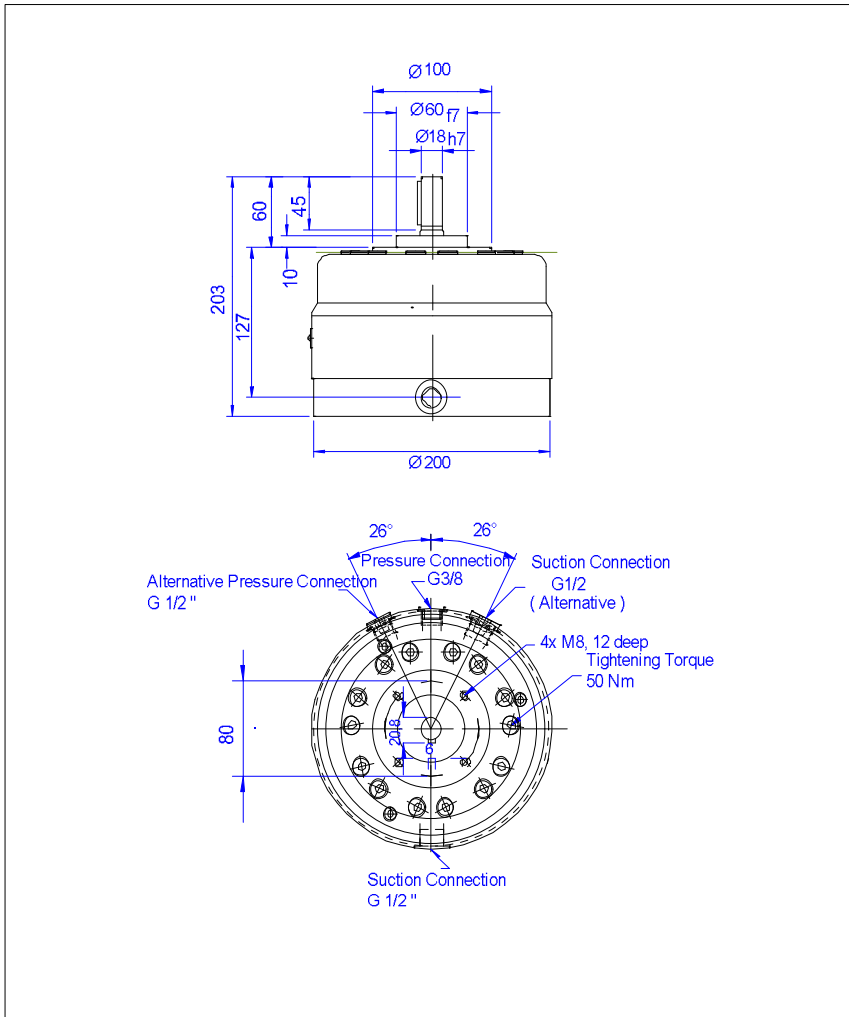
dimensions + pressure ranges 1R-ET-*14

1-delivery rate

Dimensions:



E-mail: hydraulik@van-dinker.de
 Telefon : +49 (0) 234 68738 - 0
 Telefax : +49 (0) 234 68738 - 27



1R ET -*14
 pump closed
 1 delivery rate

options:

Vg / P selection chart

- option drive-through
- DA SAE A mounting flange
- DB SAE B mounting flange
- DR *R mounting flange

seals materials
 N NBR standard
 V Viton on request
 E EPDM on request

weight: 21,3 Kg

volume + number of elements	delivery volume Vg [ccm/rev]	nominal delivery rate at n = 1450 U/min [l/min]	delivery rate at p max [l/min]	max. operating pressure pmax [bar]
A14	5,62	8,2	7,4	550
B14	8,8	12,8	11,6	450
C14	12,66	18,4	17,2	350
D14	14,86	21,6	10	300
E14	17,24	25	23,4	250
F14	19,8	28,7	27,2	200