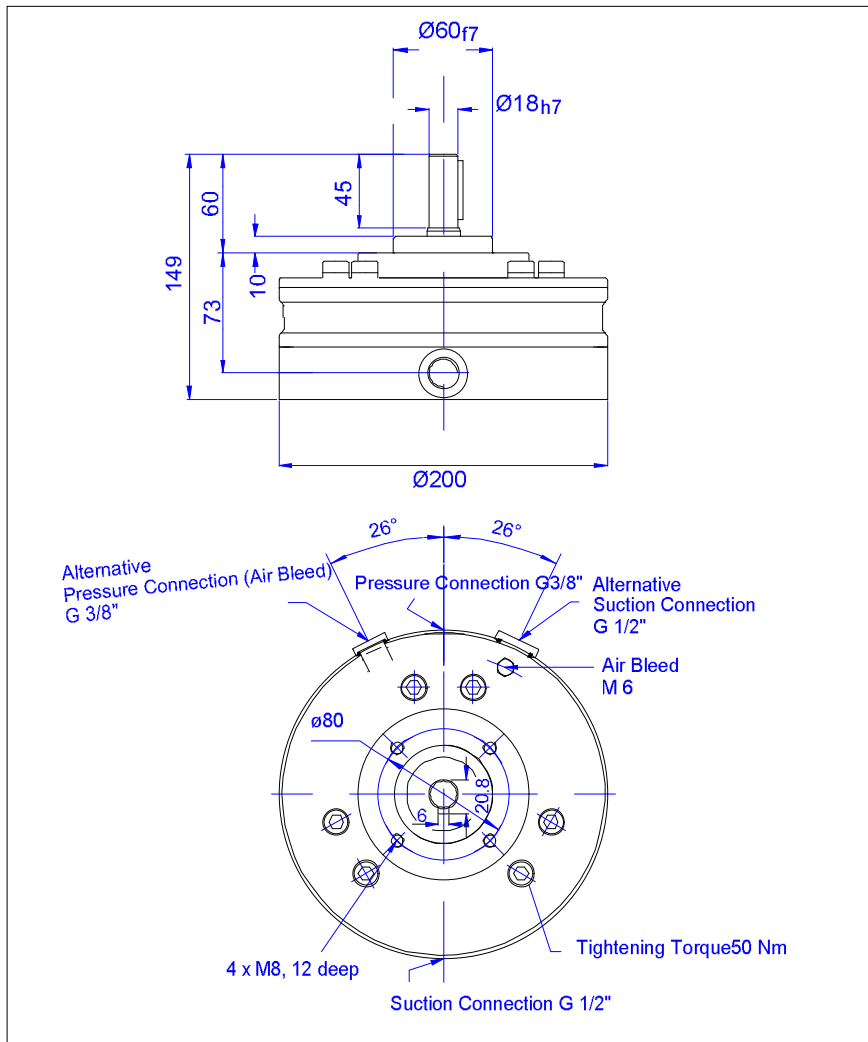


# Radial piston pump 1-row

closed type construction, 1 delivery rate, 3 elements

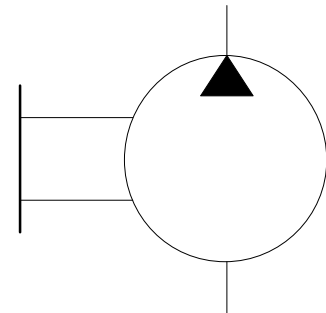
## dimensions + pressure ranges 1R-ET \*3 1-delivery rate

### Dimensions:



E-mail: [hydraulik@van-dinker.de](mailto:hydraulik@van-dinker.de)  
 Telefon : +49 (0) 234 68738 - 0  
 Telefax : +49 (0) 234 68738 - 27

1 x P



1R ET ...  
 pump closed  
 1 delivery rate

options:

Vg / P selection chart

option drive-through  
 DA SAE A mounting  
 flange  
 DB SAE B mounting  
 flange  
 DR \*R mounting flange

seals materials  
 N NBR standard  
 V Viton on request  
 E EPDM on request

weight: 11,5 Kg

volume + number of elements	delivery volume Vg [ccm/rev]	nominal delivery rate at n = 1450 U/min [l/min]	delivery rate at p max [l/min]	max. operating pressure pmax [bar]
A3	1,21	1,75	1,5	550
A3-S	0,76	1,1	0,93	550
B3	1,88	2,73	2,5	450
B3-S	1,18	1,71	1,56	450
C3	2,71	3,93	3,7	350
C3-S	1,7	2,47	2,31	350
D3	3,19	4,63	4,3	300
D3-S	2	2,9	2,7	300
E3	3,69	5,35	5	250
E3-S	2,29	3,32	3,12	250
F3	4,24	6,15	5,8	200
F3-S	2,63	3,81	3,63	200