

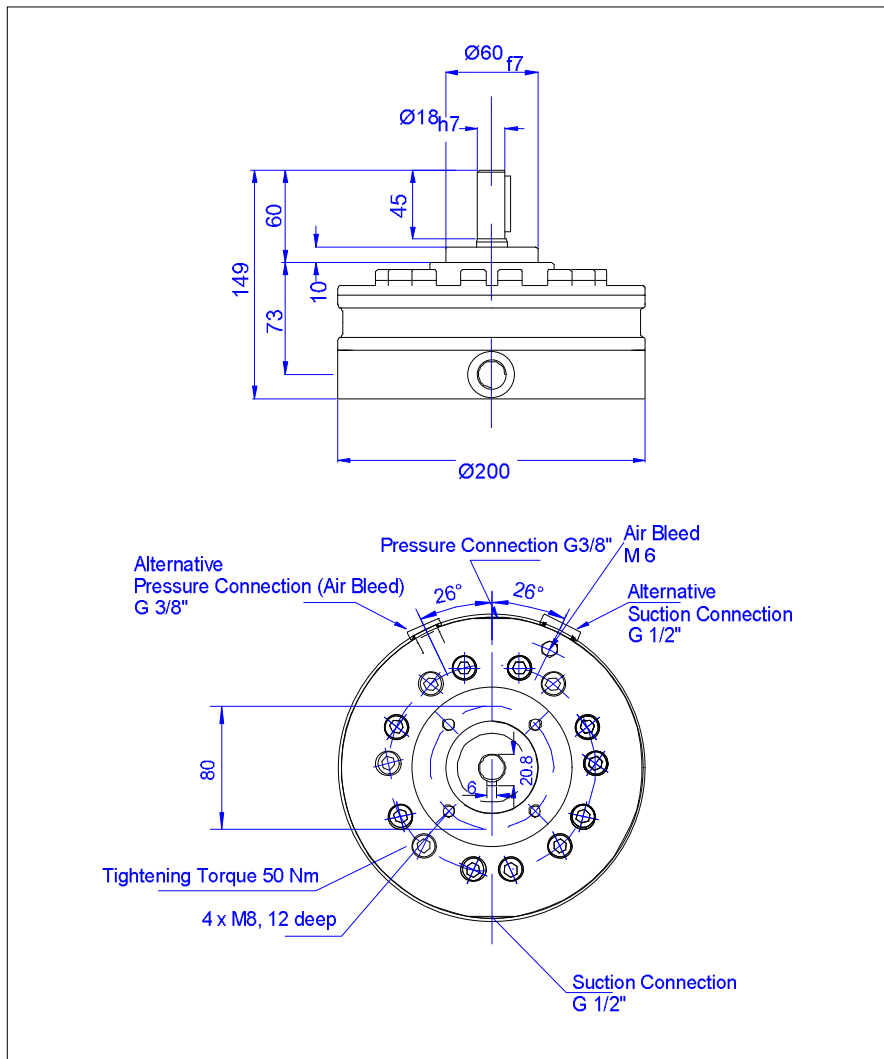
Radial piston pump 1-row

closed type construction, 1 delivery rate, 7 elements

dimensions + pressure ranges 1R-ET *7

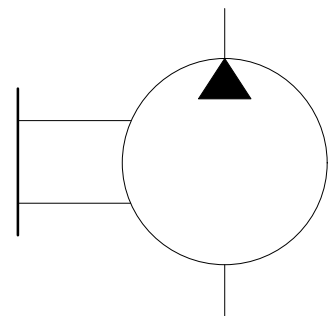
1-delivery rate

Dimensions:



E-mail: hydraulik@van-dinther.de
 Telefon : +49 (0) 234 68738 - 0
 Telefax : +49 (0) 234 68738 - 27

1 x P



1R ET -*7
 pump closed
 1 delivery rate

options:
 Vg / P selection chart

option drive-through
 DA SAE A mounting flange
 DB SAE B mounting flange
 DR *R mounting flange

seals materials
 N NBR standard
 V Viton on request
 E EPDM on request

weight: 12,9 Kg

volume + number of elements	delivery volume Vg [ccm/rev]	nominal delivery rate at n = 1450 U/min [l/min]	delivery rate at p max [l/min]	max. operating pressure pmax [bar]
A7	2,81	4,07	3,7	550
A7-S	1,76	2,56	2,22	550
B7	4,4	6,38	5,8	450
B7-S	2,76	4	3,64	450
C7	6,33	9,18	8,6	350
C7-S	3,96	5,74	5,39	350
D7	7,43	10,77	10	300
D7-S	4,65	6,74	6,3	300
E7	8,62	12,5	11,7	250
E7-S	5,34	7,74	7,28	250
F7	9,9	14,36	13,6	200
F7-S	6,14	8,9	8,47	200